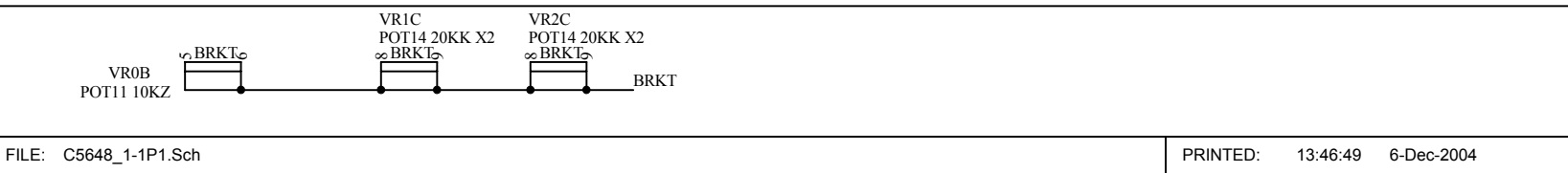
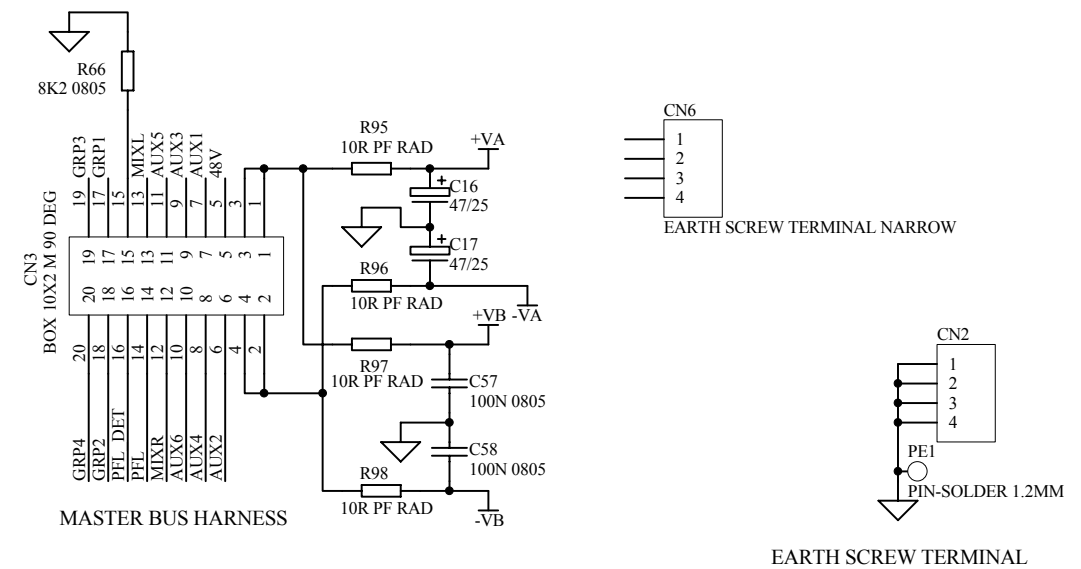
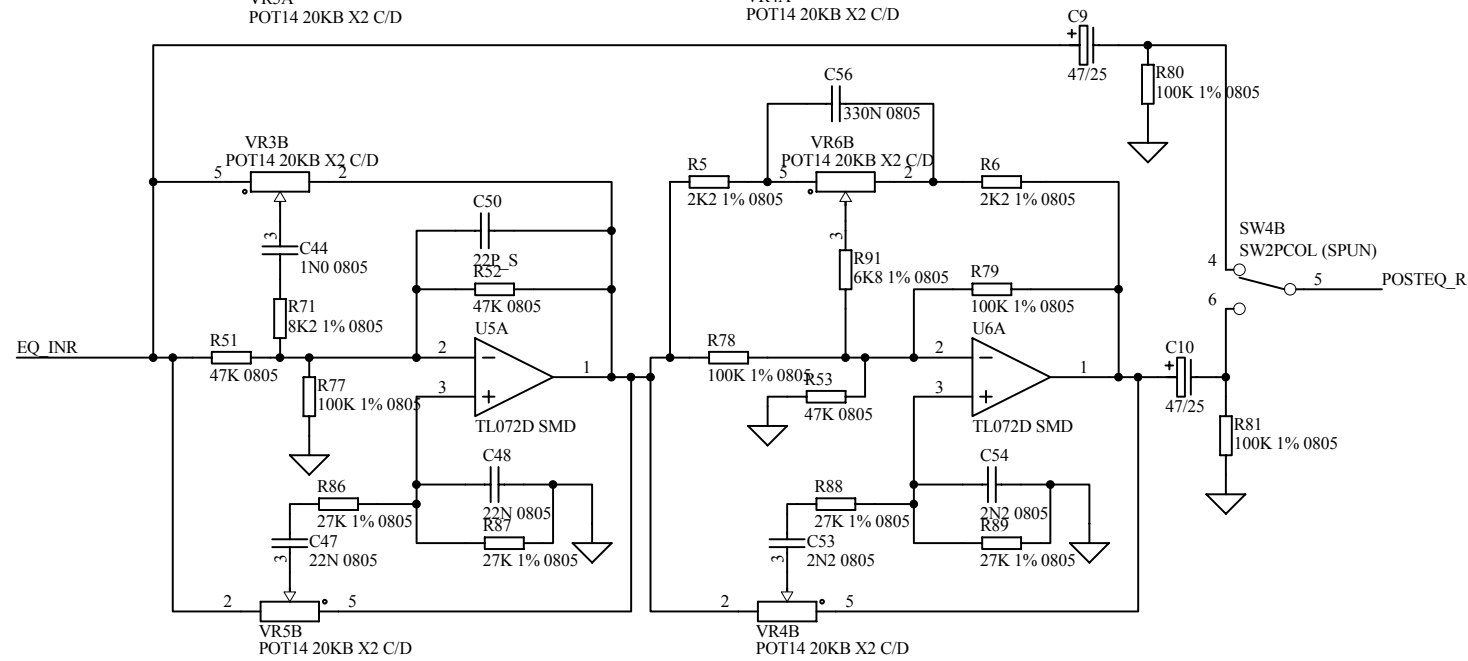
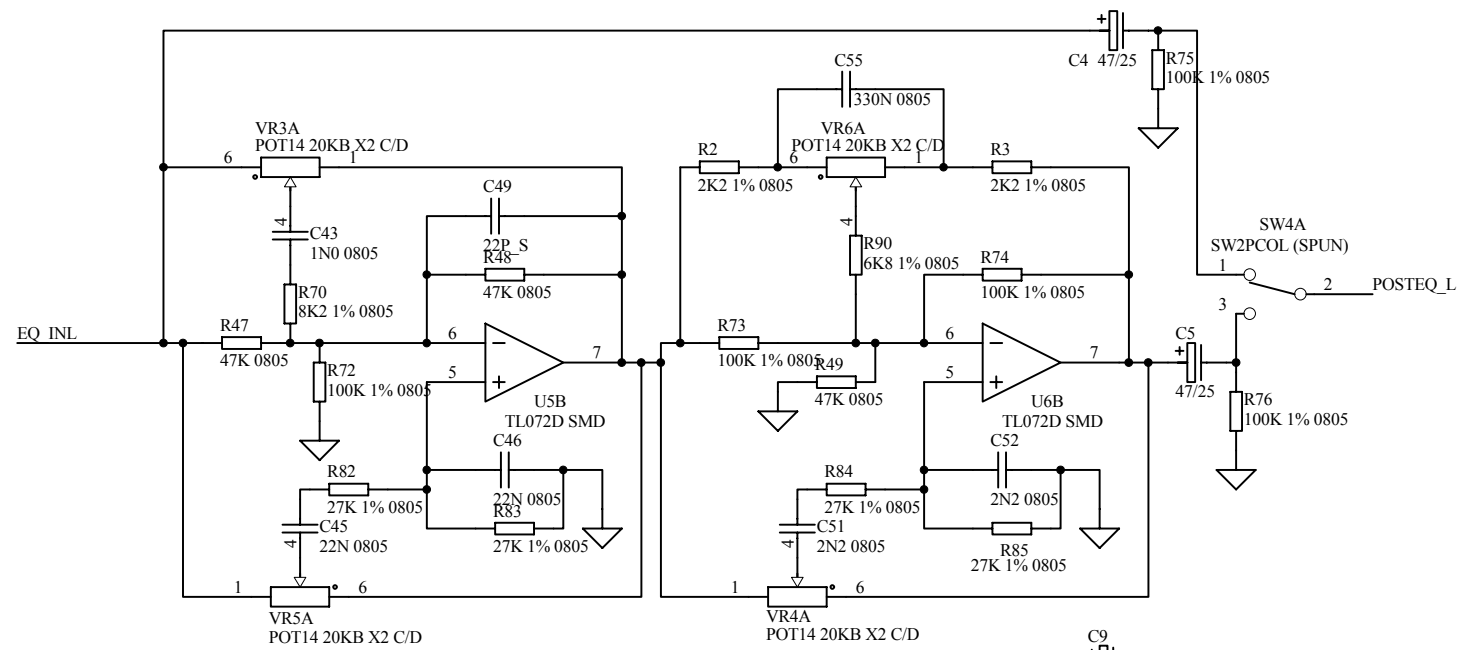


ALLEN&HEATH
 Kernick Industrial Estate,
 Penryn, Cornwall,
 England. TR10 9LU
 Tel: +44 (0)8707 556250
 Fax: +44 (0)8707 556251

ISSUE	BY	DATE	CHK BY
A	MDG	18-12-03	
1	MG	24-08-04	
1.1	MG	22/09/04	KV

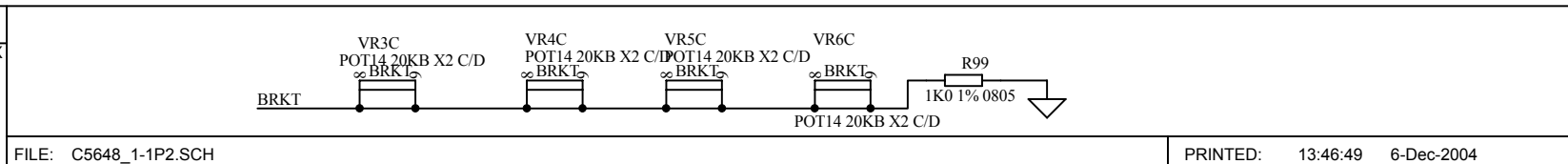


FILE: C5648_1-1P1.Sch	PRINTED: 13:46:49 6-Dec-2004	TITLE: GL2400 STEREO INPUT
		PAGE:
		DRG No: 5648
		ISSUE: 1.1 SHEET: 1 OF 3



ALLEN&HEATH
 Kernick Industrial Estate,
 Penryn, Cornwall,
 England. TR10 9LU
 Tel: +44 (0)8707 556250
 Fax: +44 (0)8707 556251

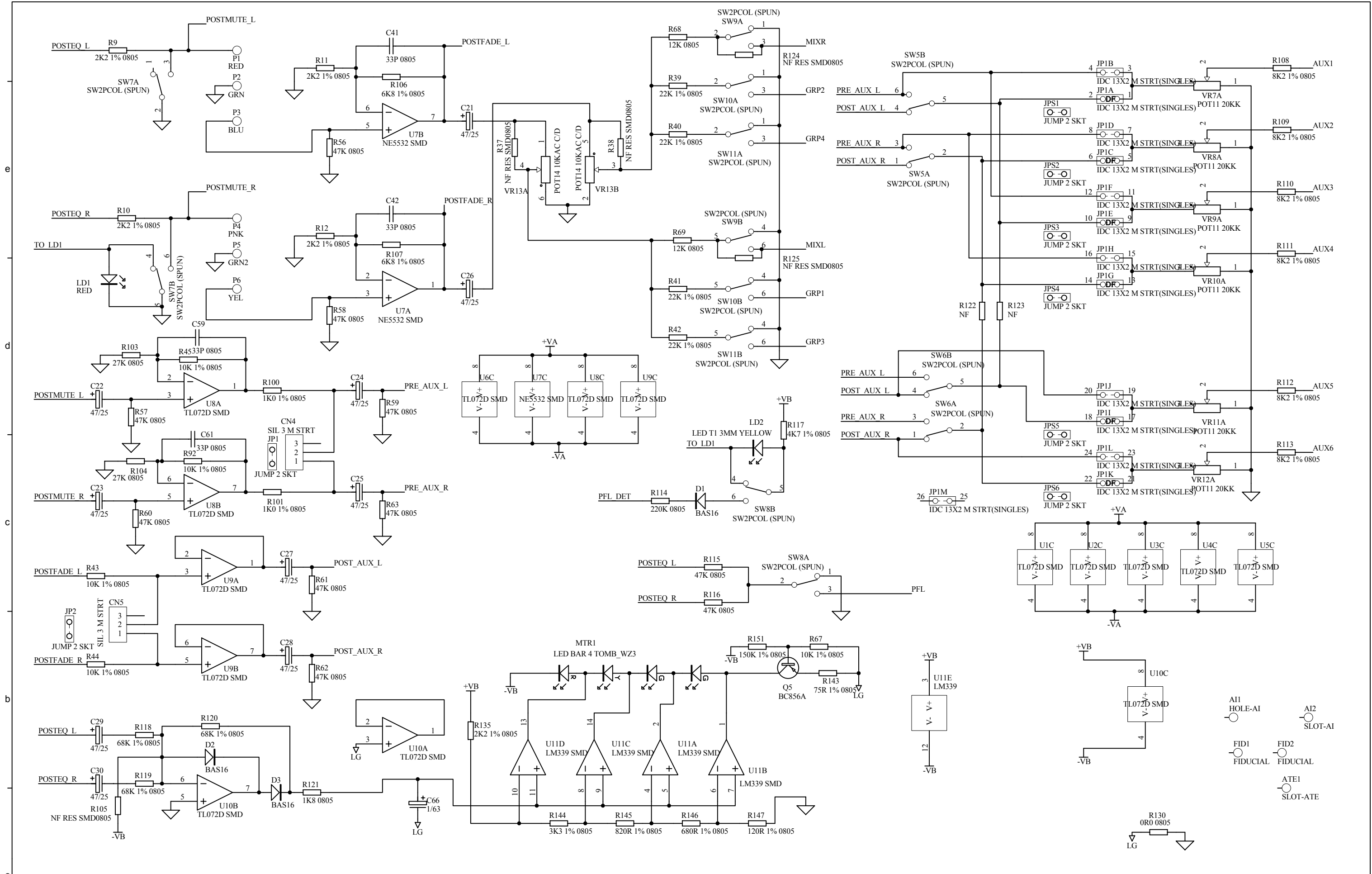
ISSUE	BY	DATE	CHK BY
A	AAT	17-12-03	XXX
1	MG	24-08-04	
1.1	MG	22/09/04	KV



TITLE: **GL2400 Stereo Input**
 PAGE:
 DRG No: **5648** ISSUE: 1.1 SHEET: 2 OF 3

FILE: C5648_1-1P2.SCH

PRINTED: 13:46:49 6-Dec-2004



ALLEN & HEATH
 Kernick Industrial Estate,
 Penryn, Cornwall,
 England. TR10 9LU
 Tel: +44 (0)8707 556250
 Fax: +44 (0)8707 556251

ISSUE	BY	DATE	CHK BY
A	AAT	17-12-03	XXX
1	MG	24-08-04	XXX
1.1	MG	22/09/04	KV

REF	DESCRIPTION	QTY
VR7B	POT11 20KK	1
VR8B	POT11 20KK	1
VR9B	POT11 20KK	1
VR10B	POT11 20KK	1
VR11B	POT11 20KK	1
VR12B	POT11 20KK	1
VR13C	POT14 10KAC C/D	1

FILE: C5648_1-1P3.SCH	PRINTED: 13:46:49 6-Dec-2004	DRG No: 5648	ISSUE: 1.1 SHEET: 3 OF 3
-----------------------	------------------------------	--------------	--------------------------

